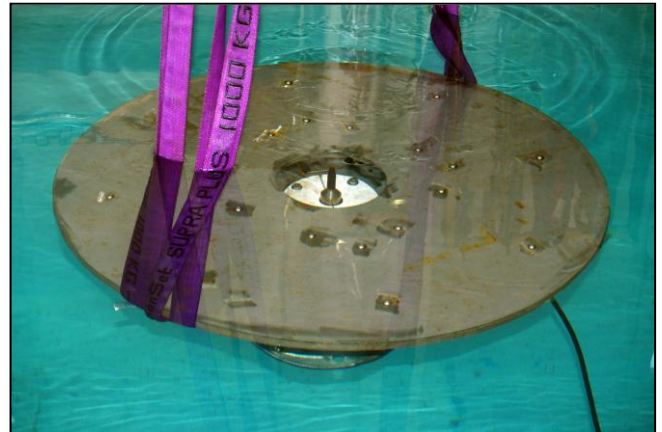
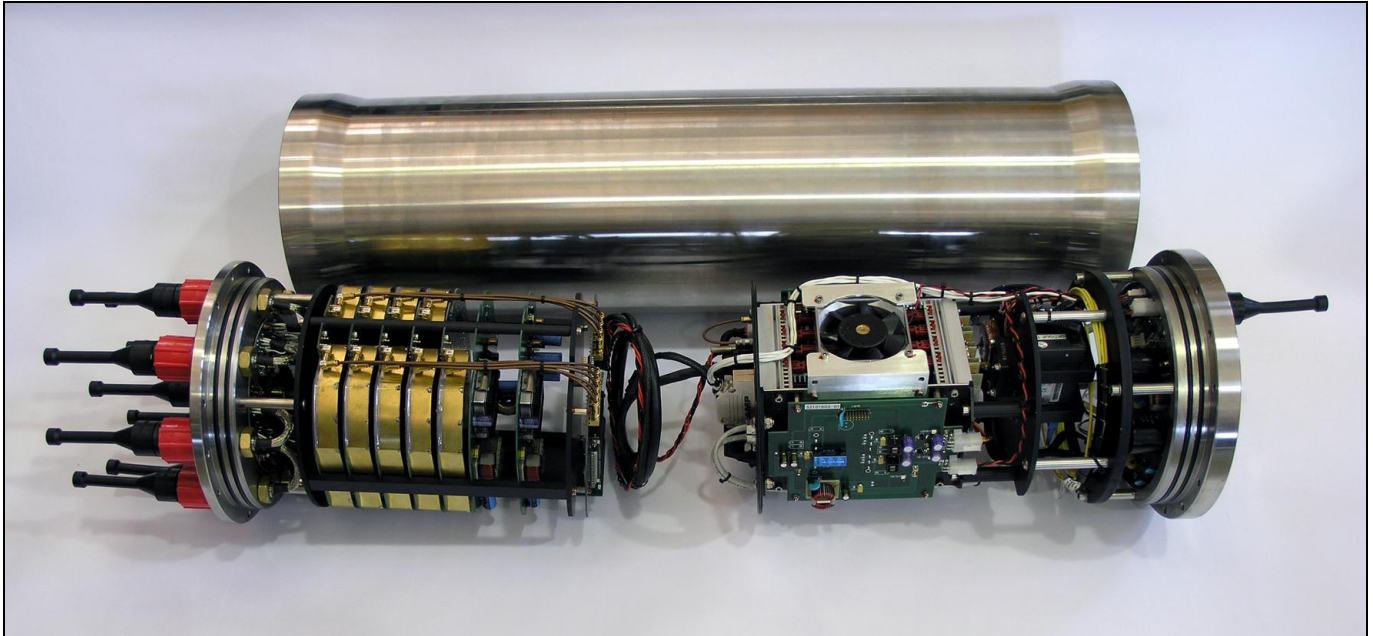


UNDERWATER TRACKING SYSTEM



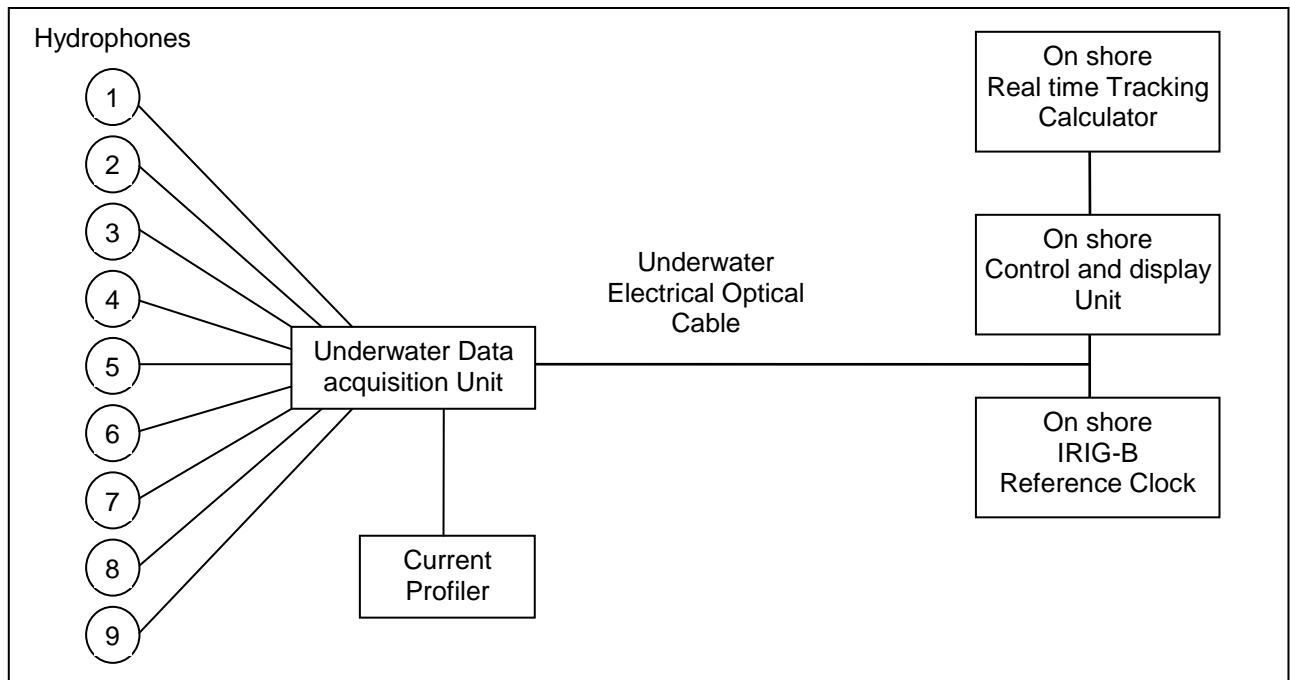
INTRODUCTION

The underwater Tracking System TREMAIL for shallow water is located at 1.3 km south of the island of Le Levant in the Mediterranean Sea. The hydrophone network covers an area of approximately 200 m x 150 m by 50 m depth.

The system includes the following elements:

- 9 hydrophones on structure with baffle system;
- 1 underwater data acquisition unit;
- Underwater electrical/optical cable;
- Current profiler;
- On shore power supply;
- On shore control and display unit.

T E C H N I C A L S P E C I F I C A T I O N S



Underwater Data Acquisition Unit :

Hydrophone Channel Number	:	Up to 10
Hydrophone Power supply	:	12V or 24V
Hydrophone reference	:	Reson TC4014
Bandwidth preamplifier	:	10Hz to 90kHz
High pass filter, 2 switchable	:	F=10Hz and 8kHz @-3dB
Low Pass filter	:	F= 90kHz @-3dB
Programmable Gain control	:	0 to +60dB
Analog to Digital converter	:	Up to 10 synchronous ADC
Resolution	:	16 bits
Sample rate	:	200 kHz
Datation	:	By Irig-B reference clock
Monitoring sensors	:	Temperature, humidity
Monitoring parameter	:	Voltage and current
Power supply	:	375VDC +/-10% / 250mA
Communication	:	2 redundant Ethernet FO link
Standard	:	Bidirectional monomode 1G byte link
Configuration and control	:	Embedded web server
Measurement Transmission	:	Multicast streaming
Dimension (Length x Diameter)	:	880 mm x 250mm
Weight in Air	:	70 kg
Weight in Water (sea water)	:	-30 daN
Maximum depth	:	100m
Housing Material	:	Stainless steel 316L